

# We've invented suction. Again.

The radial Tyscor V/VS suction machine



**50%**  
POTENTIAL  
ENERGY SAVING  
Measured by  
Fraunhofer Institute  
07/2014

COMPRESSED AIR  
SUCTION  
IMAGING  
DENTAL CARE  
HYGIENE

# The story of a new, radial development

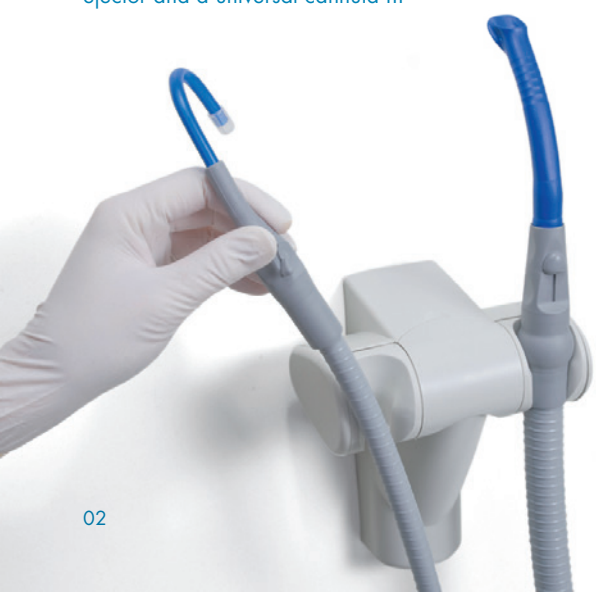
A good fifty years ago, ergonomic treatment entered a whole new stage, thanks to our dental suction systems. With a new technological approach, our next generation of suction systems have now made major advances in terms of energy efficiency.

In 1964, Dürr Dental developed a suction system which enabled patients to be treated whilst lying down for the first time. Back then it was a sensation, now we take it for granted. But it's far from the end of our quest to be, or rather to be yet again, best in class. We want to improve what's already great and tread new paths when the time is right in order to allow our customers to move in new directions. As a result of this aspirational philosophy, we have now developed completely new suction systems using radial technology: The Tyscor V and VS suction systems by Dürr Dental.

## High suction power for safe treatment

Without a systematic suction system, the cooling spray of modern, fast-running instruments can cause an aerosol cloud to spread throughout the entire treatment room. This contains germs, bacteria, and viruses. Thanks to our powerful suction systems with a suction performance of around 300 l/min, the resulting risk of infection is effectively reduced.

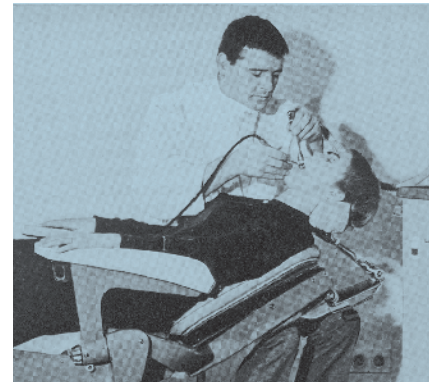
Dürr Dental modular Comfort hose manifolds, shown here with a saliva ejector and a universal cannula III



PROGRESS STARTS  
WITH IDEAS



To the image clip



FOR MORE THAN 70 YEARS:  
TOTAL DEDICATION



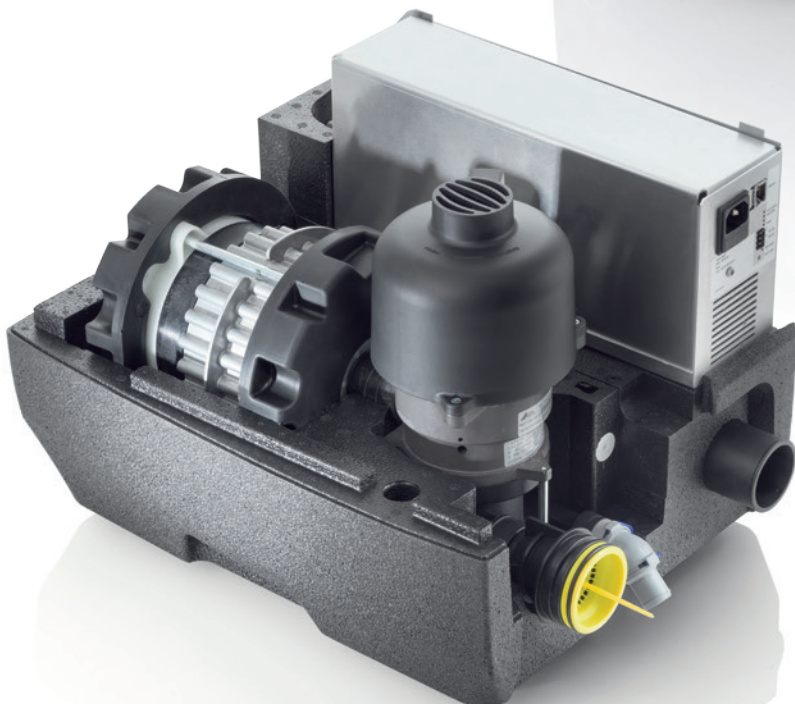
reddot design award  
winner



DESIGN  
AWARD



GERMAN  
DESIGN  
AWARD  
NOMINEE



OUR INNOVATIONS COME  
INTO BEING BECAUSE EVEN  
TODAY, WE'RE ALREADY  
THINKING ABOUT  
TOMORROW

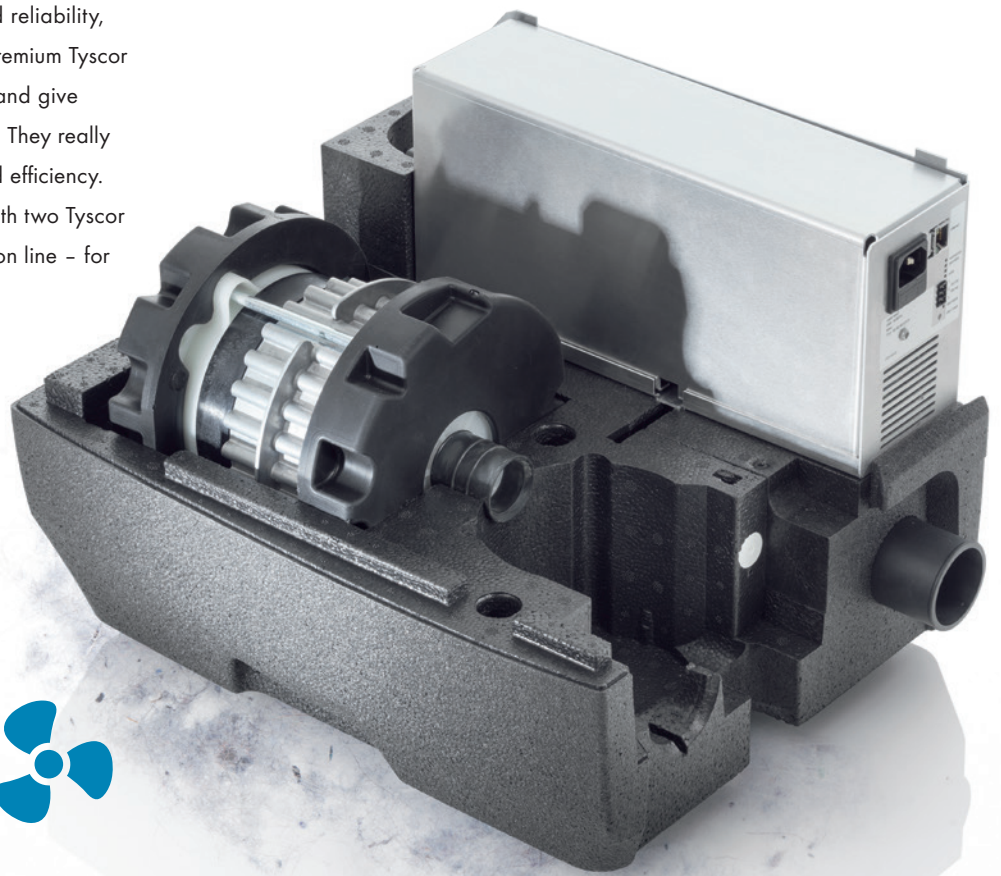


# Radially impressive

## Dental technology is following a revolutionary path

Suction systems must meet extremely high requirements. Despite being permanently exposed to waste water, blood, saliva, dentine, and various filler materials, these systems must always deliver their full power.

In addition to Dürr Dental's usual quality and reliability, the newly developed suction systems of the premium Tyscor line have radial technology, are 50% lighter and give a potential energy saving of more than 50%. They really set standards with regard to performance and efficiency. An intelligent control allows also operation with two Tyscor suction machines connected to only one suction line – for perfect operational reliability.



### Tyscor V 2

The suction system for 3 treatment stations with dry airways to the suction machine thanks to separation in the treatment unit; simultaneous dentists: 2



### Tyscor VS 2

The suction system with integrated separation for 3 treatment stations; simultaneous dentists: 2





### Quiet

A case made from noise-absorbing, foamed plastic and engineering aimed at quiet running, make the Tyscor V and VS some of the quietest suction machines in their class without additional sound protection. At just 58 db(A), they're quieter than a turbine.

### Lightweight

The compact, modular design weighs 11 kg and has a housing unit made from noise-absorbing foamed plastic ensuring ease of use as well as quick and easy maintenance.

### Energy-saving

The eco-friendly radial technology of the Tyscor V and Tyscor VS ensures premium performance, particularly with regard to energy consumption. The load-dependent automatic regulation function provides optimum suction performance at all times - whilst saving money.

### Network-capable

Thanks to the standard network connection, as well as being installed with plug and play, the Tyscor V and Tyscor VS can be easily integrated into the digital monitoring and control functions of the surgery supply system using the Tyscor Pulse software. This means that the surgery team always has the necessary information about the status of the surgery's appliances.

### Features:

- Reliable - thanks to high-quality components
- Energy-efficient - energy saving of more than 50%
- Compact and light
- Network-capable thanks to Tyscor Pulse software
- Can be retrofitted to convert a dry suction machine into a wet suction machine
- Demand-oriented power consumption
- An intelligent control allows operation with two Tyscor suction machines connected to only one suction line

## OUR PROMISE: ABSOLUTE RELIABILITY AND TOP QUALITY - AS ALWAYS

Eco Friendly Technology

-50%	58 <sub>dB(A)</sub>	11 <sub>kg</sub>	2	3	Tyscor Pulse



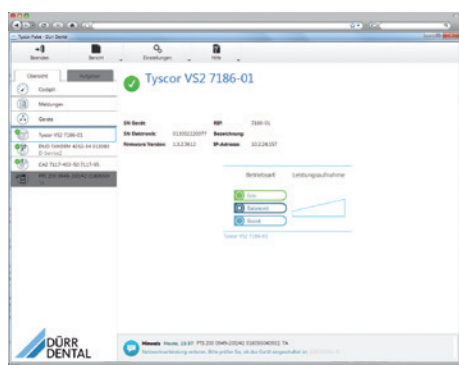
# Quality you can trust

## Groundbreaking technology, made in Bietigheim-Bissingen

As a leader in innovation, Dürr Dental constantly sets new standards with its developments. We have always aspired to provide top quality and reliability. Our ISO-certified company therefore manufactures products exclusively in the economic hub of Germany.

[3]

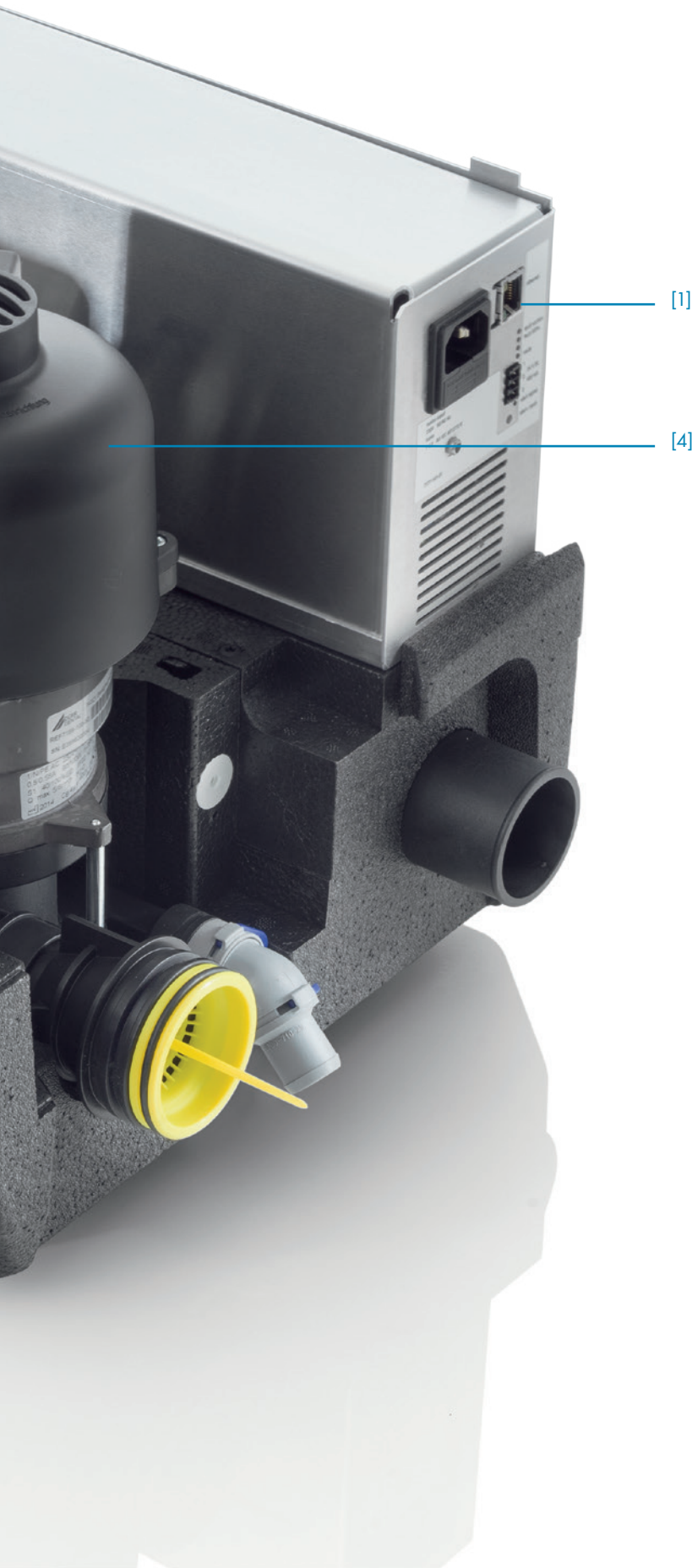
[2]



## Electronics [1]

The power of the Tyscor suction systems is regulated in an energy-efficient manner by means of an integrated control module. Thanks to the standard network connection and Tyscor Pulse software, you can see the operating states at all times and you can conveniently set the desired suction performance mode (Eco, Balanced, or Boost).





## Case [2]

As is typical for Dürr Dental, our creative motto, 'Form follows Function', has been applied to the design of the case. The half-shell housing is made from foamed plastic. It is extremely light, sound-absorbing, and has a special antibacterial coating. The embedded, modularly designed interior has no fixed screw joints, which makes it really easy to place the system into operation (you simply connect up the hoses and power plug) as well as enabling convenient maintenance and repair work if necessary.

## Suction unit [3]

A vacuum compressor with radial technology is used for the first time in the suction unit of the Tyscor V and VS systems. This technological innovation ensures premium performance, particularly with regard to energy consumption. Furthermore, a small impeller with high air gaps and hybrid motor bearings ensure a compact design and top reliability.

## Separation [4]

For the separation unit of the Tyscor VS systems, tried-and-tested Dürr Dental technology has been optimally adapted to the new machine concept. Integrated speed monitoring automatically reduces the speed in the case of higher levels of dirt or flooding in the separator and, if necessary, shuts the machine off entirely before a defect can arise. Thanks to their modular design, the dry Tyscor V systems can be easily retrofitted to form wet Tyscor VS systems, which means that they offer top flexibility and investment safety.



# CA 2 amalgam separator – easy and convenient installation

The CA 2 amalgam separator is fitted with a pressure compensation chamber at the factory. This reduces the installation efforts to a minimum. Along with the VS 600 suction machine or the new Tyscor VS 2, it provides the optimum solution for 2 dentists.

## Advantages:

- All required components included
- Electronic monitoring of fill level
- Large collection container for long service life
- Compact and light
- Powder-coated console
- Made in Germany

## Centrifugal separator with hydrodynamic self-cleaning function

In contrast with conventional sedimentation separators, the CA 2 works with a special fill level control function with regular monitoring. Once the maximum fill level is reached, an audible signal is released. Only then must you change the container. This procedure prevents unnecessary additional efforts, thus reducing costs.

## Features:

- Centrifugal separator with hydrodynamic self-cleaning function
- Separation rate of > 95 %
- Electronic fill level monitoring
- 20 years of experience in the development of amalgam filtration devices



Optical and audible signals warn you that the collection container needs to be changed. This means that you only have to change it when it really is full.



Can be installed on the floor or is easily mounted to the wall using the slotted holes.



# Keep your suction system in good shape!



Around half of all suction systems have restricted performance due to deposits and blockages. The reason: Most systems are disinfected but not subjected to additional cleaning. The result: Substances such as blood, secretions, dental material, filler material, and prophylaxis powder form a stubborn sludge. This results in blockages (suction system "infarction") which reduce performance and, in the worst case scenario, can bring the surgery to a standstill.

## Dürr Dental's solution: Orotol® Plus and MD 555 cleaner

Orotol® Plus and MD 555 Cleaner used in conjunction protect all parts of your suction system (including the lines) from deposits, contamination, and incrustations. If used regularly, they can prevent a reduction in performance and extend the life of your suction system.

### Orotol® Plus Suction system disinfection

Foam-free, high yield liquid concentrate for the disinfection, deodorisation, cleaning, and care of all suction systems and amalgam filtration device.

- For suction systems; recommended by leading suction unit manufacturers
- No building of resistance against germs
- Tested material compatibility
- Helps to retain the value of the suction system
- Dissolves and disinfects biofilm and prevents sludge accumulation (blood and proteins)
- Long-lasting effect
- Broad range of effectiveness



### MD 555 Cleaner Special cleaner

Foam-free concentrate for dental suction systems and amalgam filtration devices.

- Strong cleaning power to remove deposits of spray powder
- Dissolves incrustations and sludge accumulations consisting of lime and prophylaxis powder (descaling agent)
- Ideal in conjunction with Orotol® Plus
- Effective composition of organic acids and foam-free tensides



# The technical data at a glance

Suction machine	Tyscor VS 2	Tyscor V 2
Voltage (V)	230 (1~)	230 (1~)
Frequency (Hz)	50 - 60	50 - 60
Electrical power (kW)	0.7	0.6
Current consumption (A)	3	3
Vacuum (mbar) at sea level	170	170
Number of dentists	2	2
Number of rooms at 60% simultaneous	3	3
Max. fluid flow rate (l/min)	10	-
Max. suction height (cm)	60	-
Dimensions (H x W x D cm)	35 x 32 x 43	35 x 32 x 43
Weight (kg)	11	10
Noise level [db(A)]	58	58



The Tyscor Pulse software can be used to adjust the suction power. It also enables the operating states to be easily read on the PC.



Tyscor V 2



Tyscor VS 2

